

# COCKTAIL OF THE DAY

Every day we highlight a classic cocktail,  
an exciting spirit or a sustainable  
home-made cordial.  
Want to know more? Just ask!

Dangerous Don Mezcal Espadin  
Champagne Michel Gonet  
Chilli, Agave & Lime  
Peychaud's Bitters

SMOKY  
REINVIGORATING  
VEGETAL



13

## 400 RABBITS



12

## SHE'S FIZZY

Żubrówka Bison Grass Vodka  
Aperol  
Champagne Michel Gonet  
Grapefruit & Lemon

QUENCHING / BITTERSWEET / FRESH

Lysholm Linie Aquavit  
Sakari Yuzu Sake  
St. Germain  
Olive Oil & Citrus

TART  
EXOTIC CITRUS  
EARTHY

SOLO



14

WEEKEND  
IN  
POMPEII

Portobello Road Gin  
Fake Italicus  
Basil & Cardamom  
Agave & Lemon



12

REFRESHING / GARDENY / SOOTHING

COCKTAILS

ONE  
FINE  
THING



14

Espolon Blanco Tequila  
La Herencia de Sanchez Mezcal  
St. Germain  
Paragon Timur Berry  
Peychaud's Bitters

SMOKY  
FLORAL  
COMPLEX

# GIN & TEA

Crafter's London Dry Gin  
Crème de Cacao Blanc  
Matcha & White Chocolate  
Lime



12

SWEET  
MELLOW  
SOUR

# JAMAICAN CHIX



12

Angostura 7 Rum  
Amaro di Angostura  
Vana Tallinn  
Pimento Dram  
Campari  
Thyme & Honey  
Orange & Lime

TROPICAL / SPICED / ADVENTUREOUS

COCKTAILS

Elijah Craig Small Batch Bourbon  
Pierre Ferrand Dry Curaçao  
Ardbeg Uigeadail  
Ginger & Maple Syrup  
Orange & Lemon



13

UPLIFTING / GINGER SPICE / SMOKY

S O N  
O F  
A  
G U N

SWEET  
CREAMY  
CHILDHOOD



12

Four Roses Bourbon  
Dry Curaçao  
Strawberry & Vanilla  
Buttermilk & Cream  
Eggwhite

# KELIS

# HYGGE



13

Nikka Coffey Gin  
Cocchi Storico Vermouth di Torino  
Campari  
Raspberry & Licorice

BITTERSWEET  
FOREST FRUITS  
WARMING

COCKTAILS

Bache-Gabrielsen Tre Kors Cognac  
Cocchi Vermouth Amaro Dopo Teatro  
Campari  
Crème de Mûre  
Crème de Violette

# WHISPER OF LOVE

COMPLEX / STRONG / SMOOTH



13



Bergamot  
Quinine  
Verjus

CARBONATED  
TANNIC  
CITRUSY

# BERGAMOT SPRITZ

Strawberry & Vanilla  
Buttermilk & Cream  
Lemon  
Eggwhite

SWEET / CREAMY / CHILDHOOD



# MILKSHAKE



Lapsang Souchong & Hibiscus Cold Brew  
Quinine & Maple Syrup  
Verjus

BITTER  
SMOOTH  
SMOKY

# LAPSANG SIP

Lyre's Italian Orange  
Fresh Grapefruit Juice



# GARIBALDI

# SEEDLIP TONIC

Seedlip Spice 94  
London Essence Tonic



NON-ALCO

## SNACKS

RICE CRACKERS	5
SALTED CRISPS	5
MIXED NUTS	5
ASIAN PICKLED CUCUMBERS	7
MOLE & PLANTAIN CHIPS	8
PERSIAN OLIVES	7
CHEESE PLATTER	16
CHARCUTERIE	16

## SEASONAL SPECIALS

EL YUZON CUBANO	14
Ron Santiago De Cuba 1 1, Vetiver, Ponzu, Lime	

**BEER**

<b>Põhjala Laager</b>	LAGER, 4.7%, 44 CL	6.5
<b>Põhjala Kosmos</b>	NEIPA, 5.5%, 33 CL	6.5
<b>Mikkeller Drink'in The Sun</b>	AMERICAN STYLE WHEAT ALE, 0.3 %, 33 CL	7
<b>Mikkeller Limbo Series Riesling</b>	FLEMISH PRIMITIVE SOUR, 0.3%, 33 CL	7

**WINE 12CL/75CL****White or Red**

ASK FOR TODAY'S OPTION

9/45

**CHAMPAGNE 12CL/75CL****Michel Gonet Les 3 Terroirs**

BLANC DE BLANCS, EXTRA BRUT, NV 14/85

**Ruinart Brut**

BRUT, NV 135

**Philipponnat Royale Réserve Non Dosé**

NON DOSÉ, NV 110

**Dom Perignon Vintage 2013**

BRUT, VINTAGE 2013 395

**Philipponnat Royale Réserve Rosé**

BRUT, NV 140

**SODAS & MIXERS**

<b>San Pellegrino Sparkling Water</b>	20 CL	3.5
<b>London Essence Indian Tonic Water</b>	20 CL	4
<b>Fever-Tree Ginger Beer</b>	20 CL	3.5
<b>Fever-Tree Ginger Ale</b>	20 CL	3.5
<b>Fentimans Curiosity Cola</b>	27.5 CL	4
<b>Rauch Pineapple or Tomato Juice</b>	20 CL	3.5
<b>Piesta Unfiltered Apple Juice</b>	20 CL	4.5

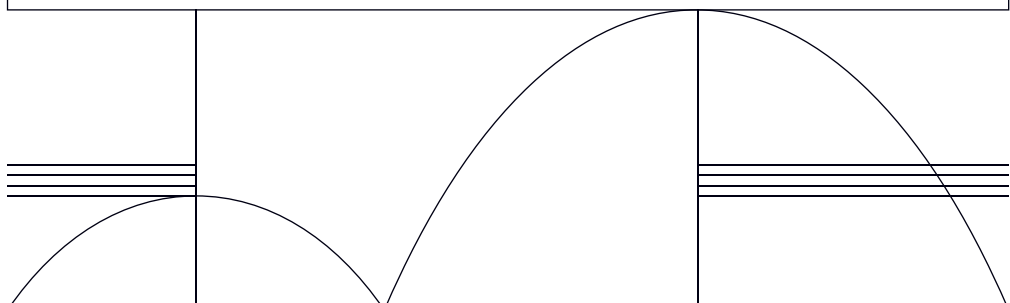
**COFFEE****Double Espresso or Americano**

OUR COFFEE IS ROASTED IN TALLINN,  
COURTESY OF PAPER MILL COFFEE

4

VODKA

<b>&amp; DISTILLATES 4CL</b>	<b>House Snaps</b>		
	VARIOUS SELECTION, HOMEMADE		6
	<b>Stolichnaya</b>		
	40%, LATVIA		6
	<b>Żubrówka Bison Grass</b>		
	37.5%, POLAND		6
	<b>Nikka Coffey Vodka</b>		
	40%, JAPAN		9
	<b>Polugar Nr.1, Rye Distillate</b>		
	38.5%, POLAND		10
	<b>Moe Pipar Organic Chilli Vodka</b>		
	40%, ESTONIA		6
	<b>Moe Handsa Organic Rye Brandy</b>		
	63.2%, ESTONIA		7
	<b>Kweichow Moutai Prince</b>		
	53%, CHINA		10
	<b>Empirical Spirits</b>		
	VARIOUS SELECTION, DENMARK, 2 CL SERVE		10

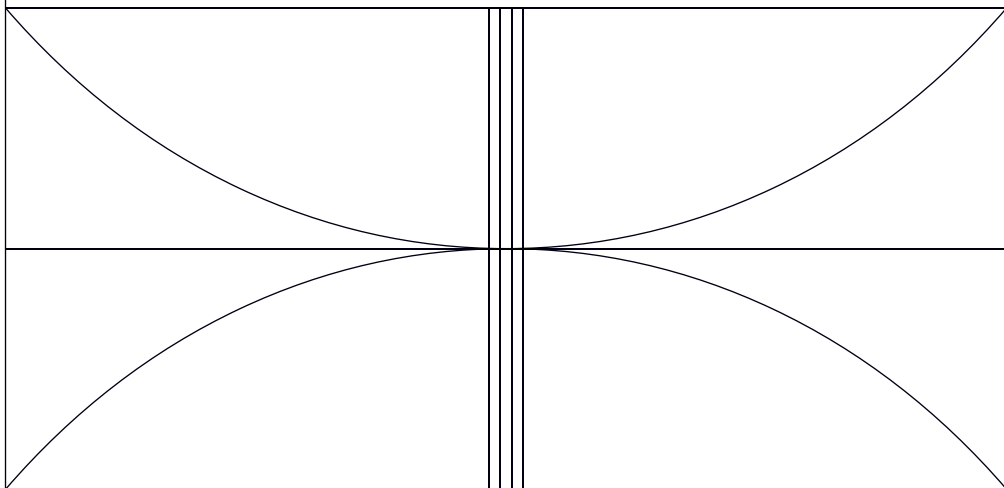


<b>GIN 4CL</b>	<b>Portobello Road London Dry</b>	42%, ENGLAND	6
	<b>Monkey 47</b>	47%, GERMANY	11
	<b>Lone Island Kyne</b>	42%, ESTONIA	6
	<b>Crafter's London Dry</b>	43%, ESTONIA	6
	<b>Nikka Coffey Gin</b>	47%, JAPAN	9
	<b>Canaima Small Batch Amazonian</b>	47%, VENEZUELA	9
	<b>Sipsmith London Dry</b>	41.6%, ENGLAND	9
	<b>Hendrick's</b>	41.4%, SCOTLAND	8
	<b>The Botanist</b>	46%, SCOTLAND	11
	<b>Four Pillars Olive Leaf</b>	43.8%, AUSTRALIA	9
	<b>Kyrö Napue</b>	46.3%, FINLAND	11
	<b>Kyrö Dark</b>	42.6%, FINLAND	11
	<b>Portobello Road Navy Strength</b>	57.1%, ENGLAND	10
	<b>Hayman's Old Tom</b>	40%, ENGLAND	6
	<b>Plymouth Sloe Gin</b>	26%, ENGLAND	6



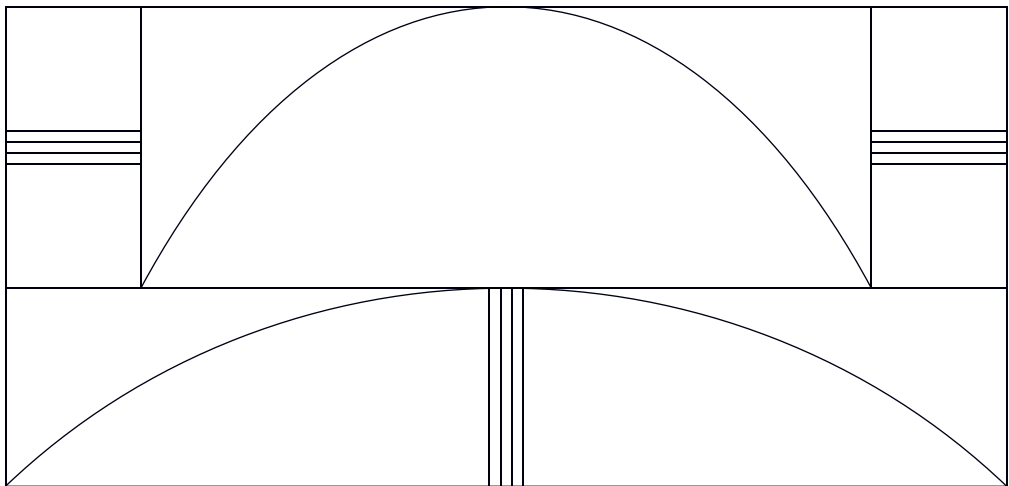
AGAVE & DASYLIRION 4CL

<b>Espolon Tequila Blanco</b> 40%, JALISCO	7
<b>Patron Tequila Silver</b> 40%, JALISCO	10
<b>Patron Tequila Reposado</b> 40%, JALISCO	12
<b>Casamigos Tequila Blanco</b> 40%, JALISCO	11
<b>123 Organic Tequila Reposado</b> 40%, JALISCO	11
<b>Don Julio Tequila Añejo</b> 38%, JALISCO	15
<b>Del Maguey Vida Mezcal</b> ESPADIN, 42%, OAXACA	8
<b>La Herencia de Sanchez Mezcal</b> ESPADIN, 42%, OAXACA	8
<b>Dangerous Don Mezcal</b> ESPADIN, 46%, OAXACA	11
<b>Derrumbes San Luis Potosi Mezcal</b> SALMIANA, 44.4%, SAN LUIS POTOSI	8
<b>Derrumbes Durango Mezcal</b> DURANGENSIS, 44.7%, DURANGO	12
<b>Siete Misterios Tobalá Mezcal</b> TOBALÁ, 47.3%, OAXACA	22
<b>Coyote Sotol</b> VARIOUS SELECTION, MEXICO	10



AQUAVIT 4CL

<b>Lysholm Linie</b>	41.5%, NORWAY	7
<b>O.P. Anderson</b>	40%, SWEDEN	7

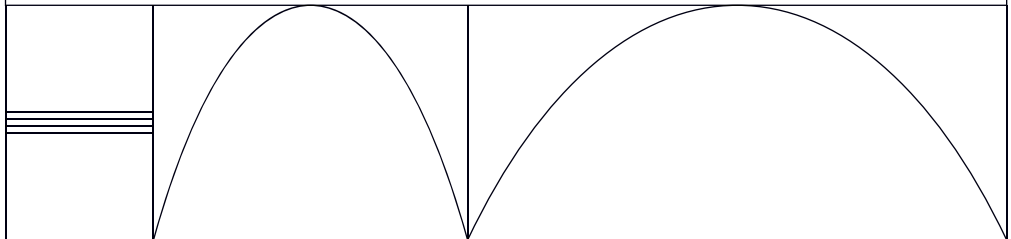


RUM

& SUGARCANE 4CL	<b>Plantation 3 Stars</b>	41.2%, BARBADOS, JAMAICA, TRINIDAD	6
	<b>Chalong Bay</b>	40%, THAILAND	9
	<b>Clairin</b>	VARIOUS SELECTION, HAITI	17
	<b>Plantation Original Dark</b>	40%, TRINIDAD, JAMAICA	6
	<b>Angostura 7</b>	40%, TRINIDAD AND TOBAGO	6
	<b>Diplomatico Mantuano</b>	40%, VENEZUELA	7
	<b>Diplomatico Reserva Exclusiva</b>	40%, VENEZUELA	8
	<b>Goslings Black Seal</b>	40%, BERMUDA	7
	<b>Mount Gay XO</b>	43%, BARBADOS	12
	<b>Appleton Estate 12YO</b>	43%, JAMAICA	10
	<b>Transcontinental Rum Line Jamaica WP 2013</b>	57.1%, JAMAICA	12
	<b>Habitation Velier Monymusk EMB 2010</b>	62%, JAMAICA, 2 CL SERVE	14
	<b>National Rums of Jamaica</b>		
	<b>Long Pond TECC 2007</b>	62.5% JAMAICA, 2 CL SERVE	17
	<b>Plantation Overproof</b>	69%, BARBADOS, JAMAICA, GUYANA	10

AMERICAN  
WHISKEY 4CL

<b>Four Roses Bourbon</b> 40%, KENTUCKY	6
<b>Four Roses Small Batch Bourbon</b> 45%, KENTUCKY	7
<b>Four Roses Single Barrel Bourbon</b> 50%, KENTUCKY	8
<b>Bulleit Bourbon</b> 45%, KENTUCKY	8
<b>Elijah Craig Small Batch Bourbon</b> 47%, KENTUCKY	9
<b>Woodford Reserve Bourbon</b> 43%, KENTUCKY	9
<b>Rittenhouse Bottled-in-Bond Rye</b> 50%, KENTUCKY	8
<b>Bulleit 95 Rye</b> 45%, KENTUCKY	10



SINGLE MALT 4CL

<b>Glenmorangie Original 10</b> 40%, HIGHLANDS	9
<b>Bruichladdich Classic Laddie</b> 50%, ISLAY	11
<b>Laphroaig Select</b> 40%, ISLAY	14
<b>Ledaig 10</b> 46.3%, ISLE OF MULL	14
<b>Talisker 10</b> 45.8%, SKYE	11
<b>Lagavulin 16</b> 43%, ISLAY	18
<b>Ardbeg Uigeadail</b> 54.2%, ISLAY	17
<b>Kavalan Concertmaster</b> 46%, TAIWAN	16
<b>Artist Collective Ledaig 11</b> 57.1%, ISLE OF MULL, 2CL SERVE	16
<b>Bruichladdich Octomore 13.1</b> 59.2%, ISLAY, 2 CL SERVE	17

<p> <b>BLENDED WHISK(E)Y 4CL Jameson</b>  40%, IRELAND 6  <b>The Whistler Double Oaked</b>  40%, IRELAND 6  <b>Teeling Small Batch</b>  46%, IRELAND 7  <b>Monkey Shoulder</b>  40%, SPEYSIDE 7  <b>Smoky Monkey Shoulder</b>  40%, SPEYSIDE 8  <b>Nikka Days</b>  40%, JAPAN 8  <b>Nikka Coffey Grain</b>  45%, JAPAN 12  <b>Nikka From the Barrel</b>  51.4%, JAPAN 12  <b>Compass Box The Peat Monster</b>  46%, SCOTLAND 12  <b>Compass Box The Story of the Spaniard</b>  43%, SCOTLAND 12  <b>The Whistler Irish Honey</b>  33%, IRELAND 6 </p>
---

<p> <b>COGNAC 4CL</b>  <b>Bache-Gabrielsen Tre Kors VS</b>  40%, COGNAC 7  <b>Hine VSOP</b>  40%, FINE CHAMPAGNE 9  <b>Remy Martin 1738 Accord Royal</b>  40%, COGNAC 18  <b>Delamain Pale and Dry XO</b>  40%, GRANDE CHAMPAGNE 17 </p>
--

<p> <b>BRANDY 4CL Metaxa 12*</b> 40%, GREECE 8  <b>BarSol Acholado Pisco</b> 41.3%, PERU 7  <b>Waqar Pisco</b> 40%, CHILE 8  <b>Cocchi Grappa Bianca</b> 40%, ITALY 7  <b>Teliani Chacha Silver</b> 42%, GEORGIA 7  <b>Boulard Grand Solage Calvados</b> 40%, PAYS D'AUGE 7  <b>Gelas 8 Armagnac</b> 40%, ARMAGNAC 12 </p>
--

APERITIF	Aperol	11%, ITALY, 6 CL SERVE	6
& DIGESTIF	Campari	25%, ITALY, 6 CL SERVE	6
4CL	Suze Saveur d'Autrefois	20%, FRANCE, 6 CL SERVE	8
	Italicus	20%, ITALY, 6 CL SERVE	16
	Brancamenta	28%, ITALY	6
	Fernet-Branca	39%, ITALY	6
	Ricard Pastis	45%, FRANCE	7
	Green Chartreuse	55%, FRANCE	14
	Yellow Chartreuse	40%, FRANCE	14
	Belle de Brillet	30%, FRANCE	9
	Caffè Borghetti	25%, ITALY	7
	Vana Tallinn	40%, ESTONIA	6

FORTIFIED WINE 6CL	Lillet Blanc	17%, FRANCE	6
	Punt e Mes Vermouth	16%, ITALY	6
	Antica Formula Vermouth	16.5%, ITALY	8
	Cocchi Vermouth Di Torino Storico	16%, ITALY	6
	Cocchi Extra Dry Vermouth	17%, ITALY	8
	Cocchi Vermouth Amaro Dopo Teatro	16%, ITALY	7
	Amaro Averna	29%, ITALY	6
	Amaro di Angostura	35%, TRINIDAD & TOBAGO	7
	Amaro Nonino	35%, ITALY	12
	Niepoort Dry White Port	19.5%, PORTUGAL, 8 CL SERVE	6
	Graham's Fine Ruby Port	19%, PORTUGAL, 8 CL SERVE	7
	Niepoort 10 Year Old, Tawny Port	19.5%, PORTUGAL, 8 CL SERVE	14
	El Candado, Pedro Ximenez Sherry	17%, SPAIN	8

HOUSE  
RULES

Recommended dress code: SMART CASUAL

No reservation required, but we suggest you always call ahead. We can only fit as many guests as we have seats. Calling us before entering is required, as we'd like to greet you in person and take you to your table. Let us take care of you the best way we know.

If you're out for a cigarette, close the door after yourself and give us a call when you're ready to join again. Same rules apply for vaping.

Whisper Sister is a place for grown-ups who leave their kids and pets at home.

No shouting, whistling or other loud behaviour, please. You are responsible for the behaviour of the guests you bring into our house.

If you are a group of six or more people, we kindly ask you to settle the bill with no more than two credit card or cash payments.

Any item removal from the premises is considered theft. If you like our coasters, glassware or menus, ask your waiter or bartender for more information or options.

We take allergies seriously. If you have any dietary preferences or intolerances, please let us know.

Whisper Sister  
PÄRNU MNT. 12, TALLINN  
ESTONIA 10148  
whispersister.ee

BOOKINGS:

DRINK@WHISPERSISTER.EE  
(+372) 5874 7837

INSTAGRAM [whisper\\_sister](#)  
FACEBOOK [whispersisterbar](#)

The logo for Whisper Sister, featuring the brand name in a stylized, cursive script font. The word 'Whisper' is written above 'Sister', and both are underlined with a thin horizontal line.